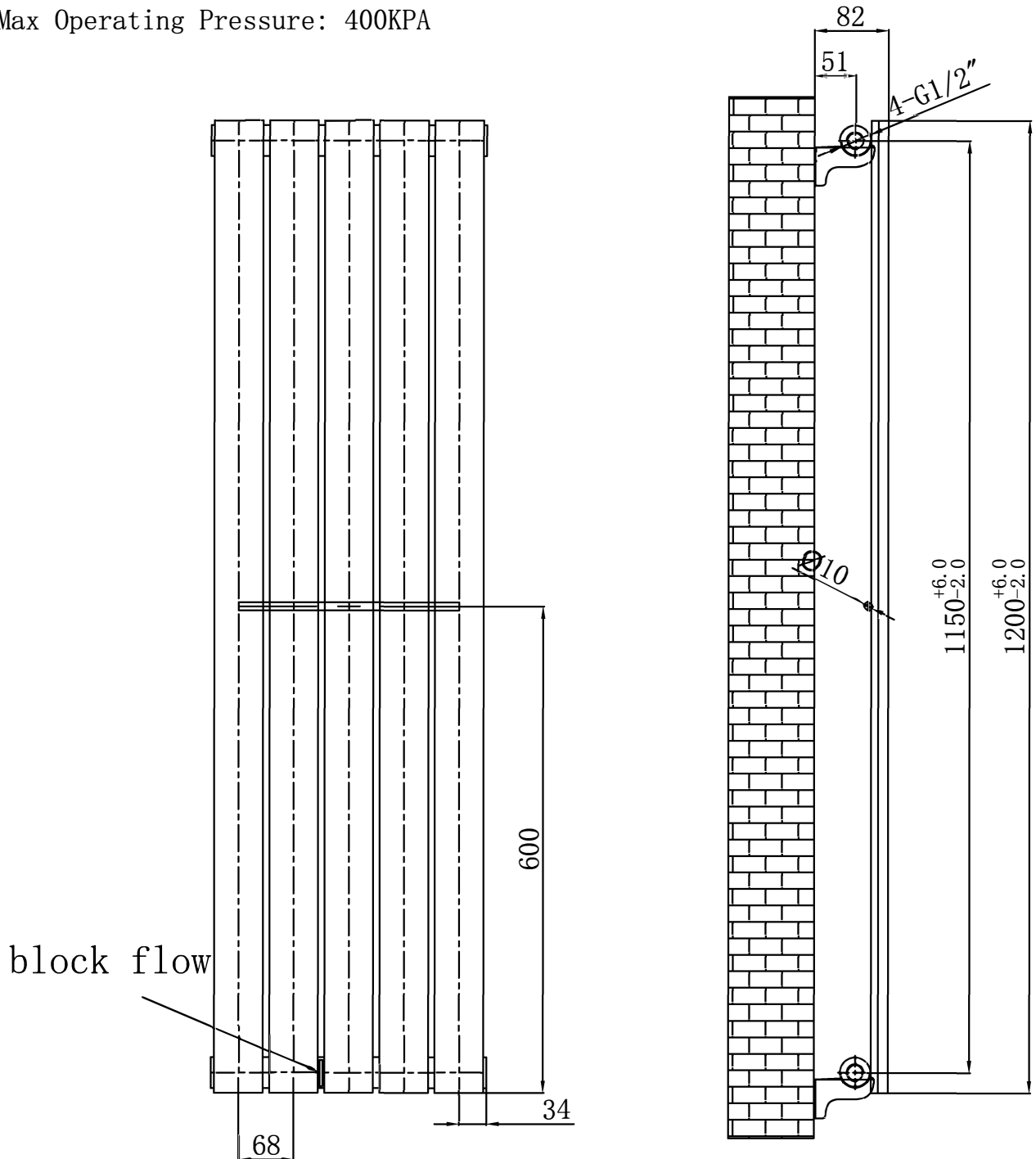
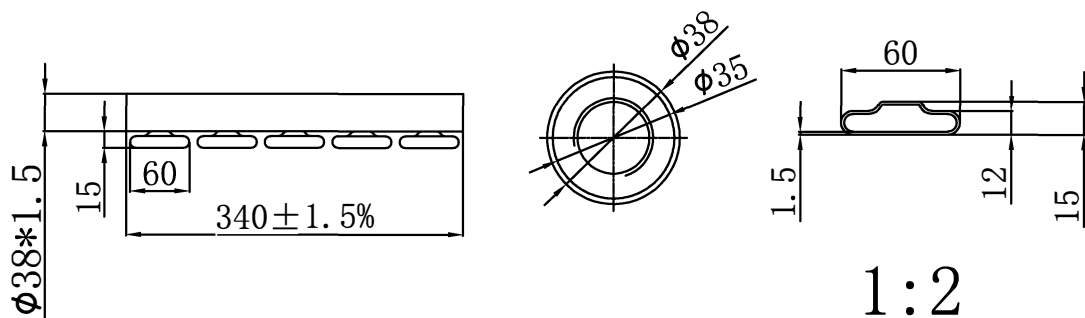


Model: FT-12340S
 Size: 1200*340 mm
 Drafting Date: 2021 07 13
 Material: low Carbon Steel EN 10130 Grade Dc01. EN 10131
 Painted Models: Powder painted
 Assembly Method: 5 Tubes Welded to the front of 2 uprights(w)" 7 Tubes in Total(w)"
 Max Operating Pressure: 400KPA



block flow



1:2