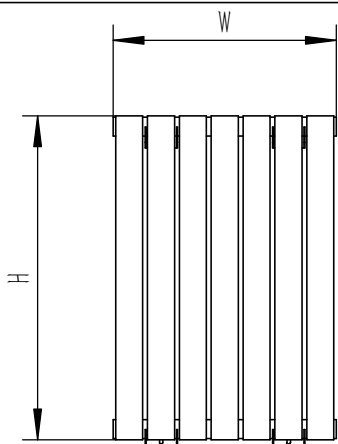
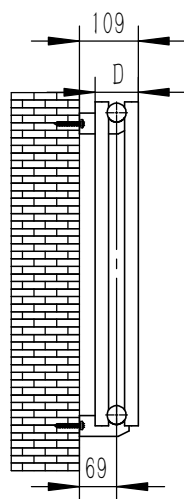


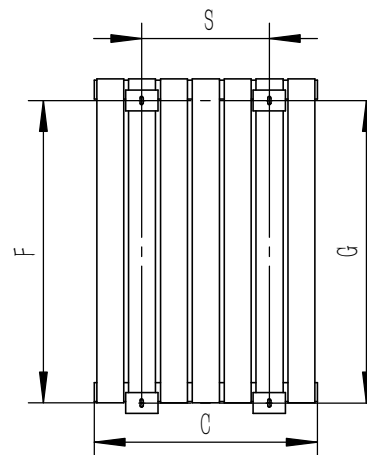
NEROX



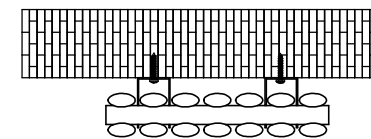
FRONT VIEW



SIDE VIEW

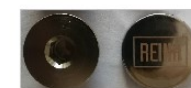


BACK VIEW



TOP VIEW

SUPPLIED INSTALLATION ACCESSORIES



POLOSHING CLOTH (Brush) 1PCS



AIR VENT 1PCS



SCREW 4PCS



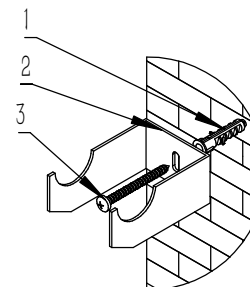
BRACKET 4PCS



SPACER 8PCS



- Vertical Mounting
- Optional 304 QUALITY STAINLESS STEEL RADIATOR (RNS-NRX610PD/SD:NEROX RADIATOR)
- POLISHED
- MAX Operational Pressure:10Bar
- Inlet/Outlet:1/2"Female Pipe Thread
- All Dimensions are in mm



Product Name	Product Cude	Height	Width	Thick Ness	Plumbing Axes Center to Center	Hanger Axes Horizontal	Hanger To Bottom of the Product	Hanger Axes Vertical	Water Volume	Empty Weight	Thermal Output
		H	W	D	C	S	F	G	-	-	Wat-Btu/hr(Δ50°)
		mm	mm	mm	mm	mm	mm	mm	mm	L	kg
RNS-NRX607PD/SD	NEROX D-600/7 P+B	600	413	80	413	236	560	560	8.0	8.7	526-1795
RNS-NRX610PD/SD	NEROX D-600/10 P+B	600	590	80	590	413	560	560	11.4	12.4	751-2562
RNS-NRX614PD/SD	NEROX D-600/14 P+B	600	826	80	826	649	560	560	16.0	13.4	1052-3589
RNS-NRX617PD/SD	NEROX D-600/17 P+B	600	1003	80	1003	826	560	560	19.4	21.1	1277-4357
RNS-NRX620PD/SD	NEROX D-600/20 P+B	600	1180	80	1180	1003	560	560	22.8	24.8	1502-5125
RNS-NRX1805PD/SD	NEROX D-1800/5 P+B	1800	295	80	295	118	1760	1760	16.1	17.6	1064-3630
RNS-NRX1807PD/SD	NEROX D-1800/7 P+B	1800	413	80	413	236	1760	1760	22.5	24.7	1490-5084
RNS-NRX1808PD/SD	NEROX D-1800/8 P+B	1800	472	80	472	295	1760	1760	25.7	28.2	1702-5810
RNS-NRX1809PD/SD	NEROX D-1800/9 P+B	1800	531	80	531	354	1760	1760	28.9	31.8	1915-6536

www.reinadesign.co.uk

info@atayglobal.com

TEL:+44 1787 238540