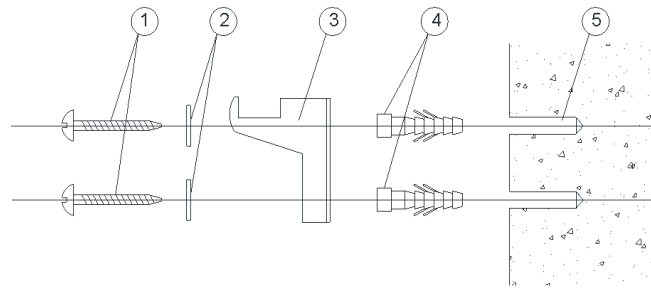


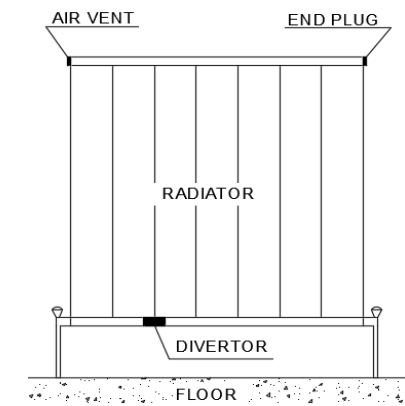
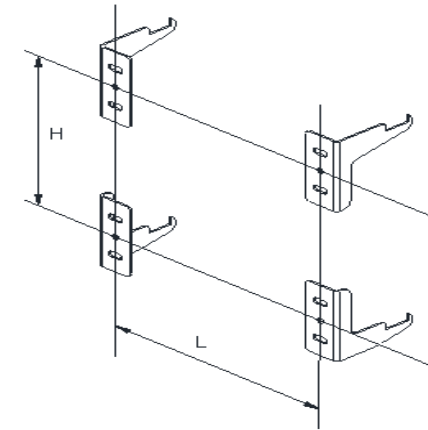
# POLITO INSTALLATION GUIDE

This product must be fitted only by a fully qualified installer.

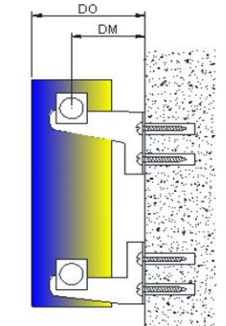
DESCRIPTION	DESCRIPTION	ILLUSTRATION
  <b>RADIATOR x 1</b>	Fixing choose the appropriate fixing for the wall material if required  PTFE tape  Electric drill  Masonry drill bit appropriate to the fixings  Adjustable spanner  Radiator valve hex key	     
 <b>TOP - RIGHT CLIPS x 1</b>	 <b>TOP - LEFT CLIPS x 1</b>	Flat head and philips head screw drivers
 <b>BOTTOM - RIGHT CLIPS x 1</b>	 <b>BOTTOM - LEFT CLIPS x 1</b>	1 lock shield valve and 1 gate or thermostatic valve
 <b>END PLUG x 1</b>	 <b>FIXING SCREWS x 8</b>	 <b>WASHERS x 8</b>
 <b>AIR VENT x 1</b>	 <b>WALL ANCHORS x 8</b>	 <b>GASKETS x 4</b>
<b>GENERAL RECOMMENDATION</b>		Spirit level  Measuring tape



1-	SCREWS
2-	WASHERS
3-	CLIPS (BRACKETS)
4-	WALL ANCHORS
5-	WALL



NAMES	A	B	C	TUBE (QTY)	DM	DO	H	L
POLITO	600	416	545	5	55	75	480	212
POLITO	600	584	545	7	55	75	480	380
POLITO	600	836	545	10	55	75	480	632
POLITO	600	1004	545	12	55	75	480	800
POLITO	600	1256	545	15	55	75	480	1052
POLITO	600	1424	545	17	55	75	480	1220
POLITO	1800	332	1745	4	55	75	1680	128
POLITO	1800	416	1745	5	55	75	1680	212
POLITO	1800	500	1745	6	55	75	1680	296



- Before fitting the radiator it is necessary to wash out the heating system to remove any existing mud, scale, work residues, traces of flux, oil, etc.
- When the system water pH is outside the 5,5-8,5 range and/or when the dissolved is above 0,1mg/liter, it is always needed to protect the heating system components (the radiator is one of these) with a proper chemical treatment compatible with all parts in contact with water (silicon rubber too).
- In order to fit the radiator to the wall, it is necessary to choose the proper fixings for the wall material.
- If the system water exceeds 50°C, please install a warning mark near the radiator to avoid any accidental scalding.
- Clean the radiator surface only with a soft cloth to avoid scratching the finish and do not use chemical againts during cleaning operations. It is prohibited to climb onthe radiator.
- Maximum working temperature 95°C, maximum working pressure 4 bar.