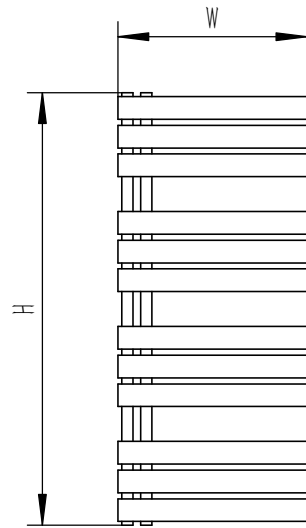
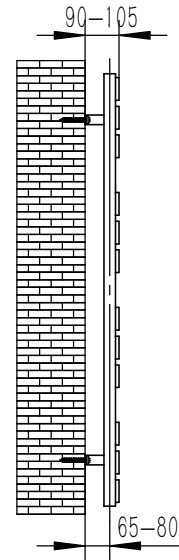


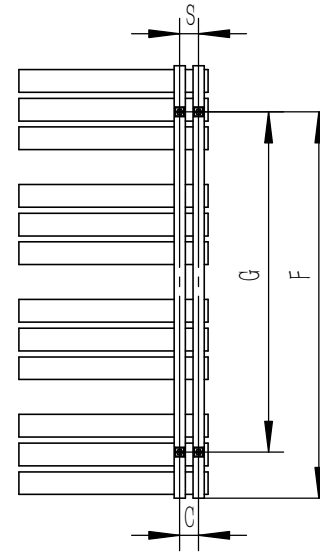
# RICADI



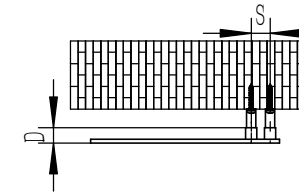
FRONT VIEW



SIDE VIEW



BACK VIEW



TOP VIEW

## SUPPLIED INSTALLATION ACCESSORIES



BLANKING PLUG 1PCS



INSERT 4PCS



SCREW 4PCS



AIR VENT 1PCS



BRACKET 4PCS



WALL PLUG 4PCS



GRAB SCREW 4PCS

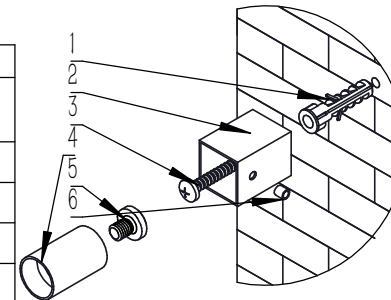


SCREW 4PCS



ALIEN KEYS 1PCS

- Vertical Mounting
- Optional 304 QUALITY STAINLESS STEEL RADIATOR (RNS-RC5114:RICADI RADIATOR)
- POLISHED
- MAX Operational Pressure:10Bar
- Inlet/Outlet:1/2"Female Pipe Thread
- All Dimensions are in mm



Product Name	Product Cude	Height	Width	Thick Ness	Plumbing Axes Center to Center	Hanger Axes Horizontal	Hanger To Bottom of the Product	Hanger Axes Vertical	Water Volume	Empty Weight	Thermal Output
		H	W	D	C	S	F	G	-	-	Wat-Btu/hr( $\Delta 50^\circ$ )
		mm	mm	mm	mm	mm	mm	mm	mm	L	kg
RICADI	RNS-RC5084	840	500	40	50	50	720	600			
RICADI	RNS-RC5114	1144	500	40	50	50	1022	900			
RICADI	RNS-RC5144	1448	500	40	50	50	1328	1208			

