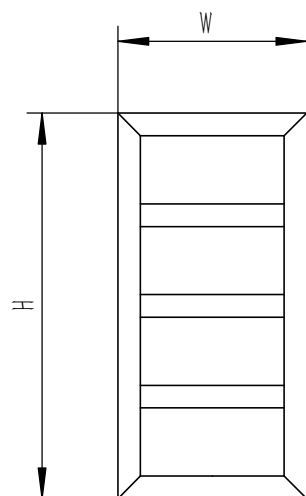
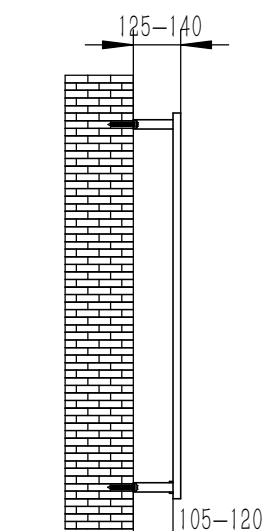


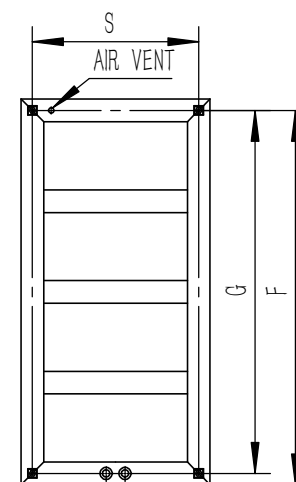
RIMA



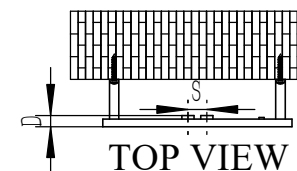
FRONT VIEW



SIDE VIEW



BACK VIEW



TOP VIEW

SUPPLIED INSTALLATION ACCESSORIES



INSERT 4PCS



SCREW 4PCS



BRACKET 4PCS



WALL PLUG 4PCS



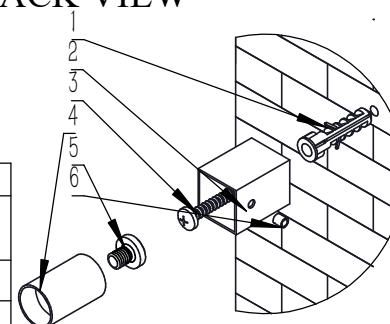
GRAB SCREW 4PCS



SCREW 4PCS



ALIEN KEYS 1PCS



- Vertical Mounting
- Optional 304 QUALITY STAINLESS STEEL RADIATOR (RNS-RMA102P:RIMA RADIATOR)
- POLISHED
- MAX Operational Pressure: 10Bar
- Inlet/Outlet: 1/2"Female Pipe Thread
- All Dimensions are in mm

Product Name	Product Cude	Height	Width	Thick Ness	Plumbing Axes Center to Center	Hanger Axes Horizontal	Hanger To Bottom of the Product	Hanger Axes Vertical	Water Volume	Empty Weight	Thermal Output
		H	W	D	C	S	F	G	-	-	Wat-Btu/hr(Δ50°)
		mm	mm	mm	mm	mm	mm	mm	mm	L	kg
RIMA	RNS-RMA078P	780	500	30	50	440	750	720			
RIMA	RNS-RMA102P	1020	500	30	50	440	990	960			
RIMA	RNS-RMA126P	1260	500	30	50	440	1230	1200			
RIMA	RNS-RMA150P	1500	500	30	50	440	1470	1440			

