

COMPACT

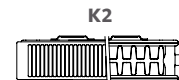
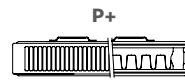
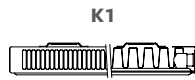


COMPACT HORIZONTAL

Stelrad Series

50 Δt

(75/65/20°C)



Height mm	Length mm	Sections	K1			P+			K2		
			Stelrad UIN	Heat output Watts	Heat output Btu/hr	Stelrad UIN	Heat output Watts	Heat output Btu/hr	Stelrad UIN	Heat output Watts	Heat output Btu/hr
300	500	15	143650	255	870	143656	373	1273	143662	491	1676
	1000	30	143651	509	1737	143657	745	2543	143663	982	3352
	1500	45	143652	764	2608	143658	1118	3816	143664	1473	5027
	2000	60	143653	1018	3474	143659	1490	5085	143665	1964	6703
	2500	75	143654	1273	4345	143660	1863	6358	143666	2455	8379
	3000	90	143655	1527	5212	143661	2235	7628	143667	2946	10055
450	400	12	143680	302	1031	143698	422	1440	143716	548	1870
	500	15	143681	378	1290	143699	528	1802	143717	686	2341
	600	18	143682	454	1550	143700	633	2160	143718	823	2809
	700	21	143683	529	1805	143701	739	2522	143719	960	3276
	800	24	143684	605	2065	143702	844	2881	143720	1097	3744
	900	27	143685	680	2321	143703	950	3242	143721	1234	4212
	1000	30	143686	756	2580	143704	1055	3601	143722	1371	4679
	1100	33	143687	832	2840	143705	1161	3962	143723	1508	5147
	1200	36	143688	907	3096	143706	1266	4321	143724	1645	5614
	1400	42	143689	1058	3611	143707	1477	5041	143725	1919	6550
	1600	48	143690	1210	4130	143708	1688	5761	143726	2194	7488
	1800	54	143691	1361	4645	143709	1899	6481	143727	2468	8423
	2000	60	143692	1512	5160	143710	2110	7201	143728	2742	9358
	2200	66	143693	1663	5676	143711	2321	7922	143729	3016	10294
	2400	72	143694	1814	6191	143712	2532	8642	143730	3290	11229
	2600	78	143695	1966	6710	143713	2743	9362	143731	3565	12167
	2800	84	143696	2117	7225	143714	2954	10082	143732	3839	13103
3000	90	143697	2268	7741	143715	3165	10802	143733	4113	14038	
600	300	9	143646	294	1003	-	-	-	143647	520	1774
	400	12	143746	392	1338	143764	538	1836	143782	693	2365
	500	15	143747	490	1672	143765	673	2297	143783	866	2956
	600	18	143748	588	2007	143766	807	2754	143784	1039	3546
	700	21	143749	686	2341	143767	942	3215	143785	1212	4137
	800	24	143750	784	2676	143768	1076	3672	143786	1386	4730
	900	27	143751	882	3010	143769	1211	4133	143787	1559	5321
	1000	30	143752	980	3345	143770	1345	4590	143788	1732	5911
	1100	33	143753	1078	3679	143771	1480	5051	143789	1905	6502
	1200	36	143754	1176	4014	143772	1614	5509	143790	2078	7092
	1400	42	143755	1372	4683	143773	1883	6427	143791	2425	8277
	1600	48	143756	1568	5352	143774	2152	7345	143792	2771	9457
	1800	54	143757	1764	6021	143775	2421	8263	143793	3118	10642
	2000	60	143758	1960	6689	143776	2690	9181	143794	3464	11823
	2200	66	143759	2156	7358	143777	2959	10099	143795	3810	13004
	2400	72	143760	2352	8027	143778	3228	11017	143796	4157	14188
	2600	78	143761	2548	8696	143779	3497	11935	143797	4503	15369
2800	84	143762	2744	9365	143780	3766	12853	143798	4850	16553	
3000	90	143763	2940	10034	143781	4035	13771	143799	5196	17734	
700	300	9	143648	335	1143	-	-	-	143649	588	2006
	400	12	143812	447	1526	143830	612	2089	143848	784	2676
	500	15	143813	559	1908	143831	765	2611	143849	981	3348
	600	18	143814	670	2287	143832	918	3133	143850	1177	4017
	700	21	143815	782	2669	143833	1071	3655	143851	1373	4686
	800	24	143816	894	3051	143834	1224	4178	143852	1569	5355
	900	27	143817	1005	3430	143835	1377	4700	143853	1765	6024
	1000	30	143818	1117	3812	143836	1530	5222	143854	1961	6693
	1100	33	143819	1229	4195	143837	1683	5744	143855	2157	7362
	1200	36	143820	1340	4573	143838	1836	6266	143856	2353	8031
	1400	42	143821	1564	5338	143839	2142	7311	143857	2745	9369
	1600	48	143822	1787	6099	143840	2448	8355	143858	3138	10710
	1800	54	143823	2011	6864	143841	2754	9399	143859	3530	12048
	2000	60	143824	2234	7625	143842	3060	10444	143860	3922	13386
	2200	66	143825	2457	8386	143843	3366	11488	143861	4314	14724
	2400	72	143826	2681	9150	143844	3672	12533	143862	4706	16062
	2600	78	143827	2904	9911	143845	3978	13577	143863	5099	17403
2800	84	143828	3128	10676	143846	4284	14621	143864	5491	18741	
3000	90	143829	3351	11437	143847	4590	15666	143865	5883	20079	

$\Delta t50$ is the UK's industry standard for heating outputs, which has an operating temperature of 75/65/20°C. If you have a low temperature heat source you may wish to consider $\Delta t40$ or $\Delta t30$ output (see your installer or system designer or download from www.stelrad.com).

For EN442 data, technical and installation information please visit our website: www.stelrad.com and search product downloads.

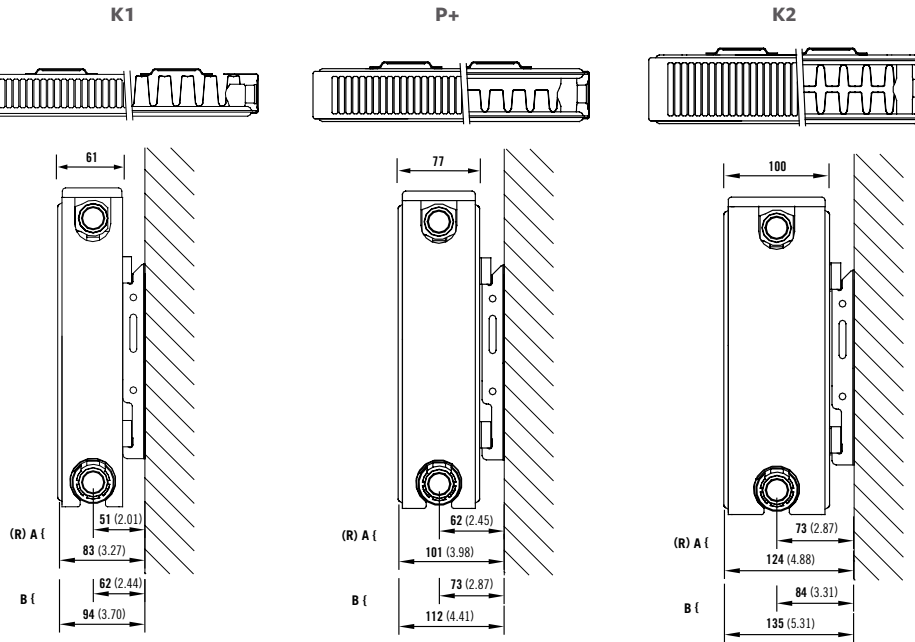
COMPACT HORIZONTAL

Stelrad Series

WALL MOUNTING INFORMATION

All dimensions in mm. Inches in brackets.

Floor mounting brackets available.



BRACKET POSITION

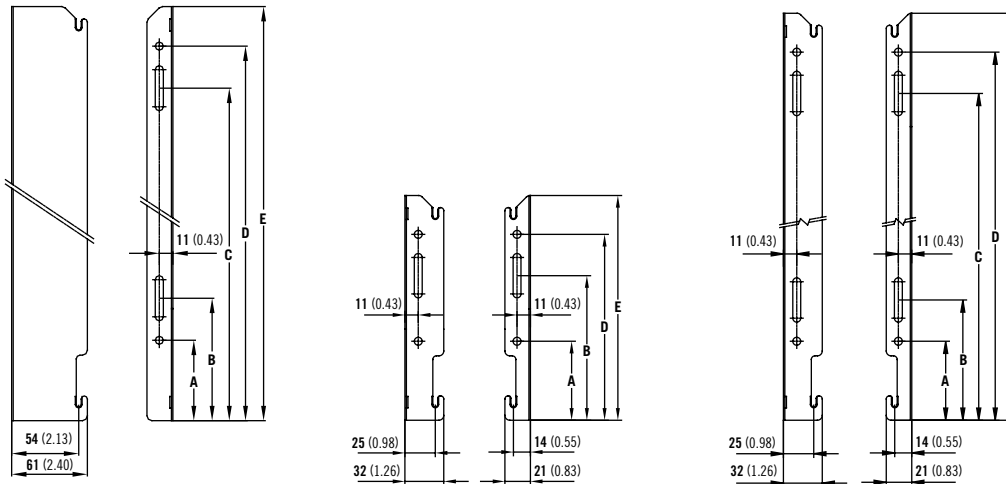
A = Closest to wall B = Furthest from wall (R) = Recommended mounting position.

COMPACT HORIZONTAL

Stelrad Series

COMPACT MOUNTING BRACKETS

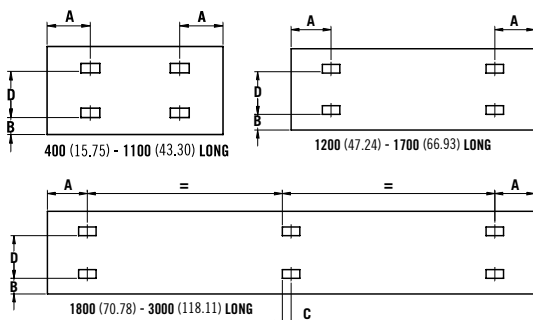
All dimensions in mm. Inches in brackets. Floor mounting brackets available.



Dimensions	mm	inches	mm	inches	mm	inches	mm	inches
Height	300	11.81	500	17.72	600	23.62	700	27.56
A	65	2.56	65	2.56	65	2.56	65	2.56
B	119	4.69	99	3.90	99	3.90	99	3.90
C	-	-	269	10.59	419	16.50	519	20.43
D	153	6.02	303	11.93	453	17.83	553	21.77
E	185	7.28	335	13.19	485	19.09	585	23.03

K1, P+ AND K2 LUG POSITIONS

All dimensions in mm. Inches in brackets.



P+ & K2

Dimensions	mm	in
A	133	5.24
B	60	2.36

K1

Dimensions	mm	in
A 400mm	117	4.61
A 500 - 3000mm	150	5.91
B 400 - 3000mm	60	2.36
C 1800 - 3000mm	17	0.67

PANEL HEIGHT

D		D	
mm	in	mm	in
300	11.81	155	6.10
500	17.72	305	12.01
600	23.62	455	17.91
700	27.56	555	21.95

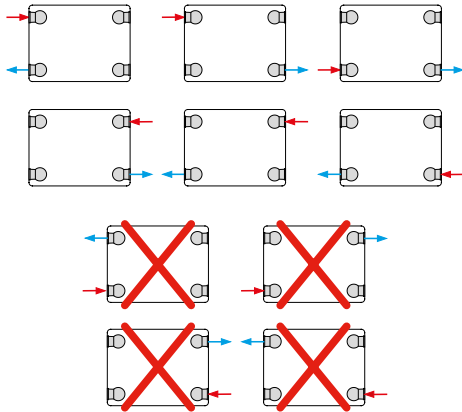
COMPACT HORIZONTAL

Stelrad Series

CONNECTIONS

Each radiator comes with 1/2" inlet connections as standard.

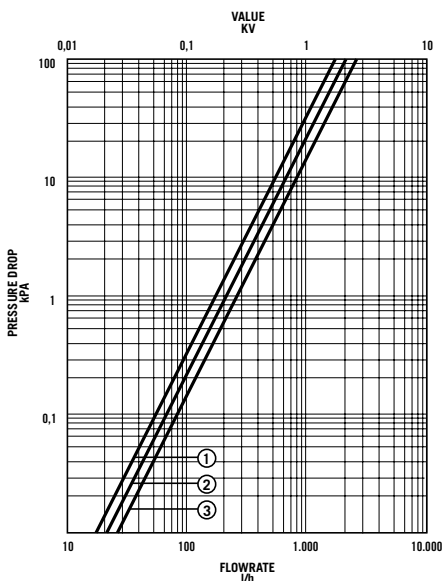
PIPING OPTIONS



EN 442 CERTIFICATION DATA - CETIAT TESTED IN ACCORDANCE WITH BS EN 442

Type	K1				P+				K2			
	300	500	600	700	300	500	600	700	300	500	600	700
Height	300	500	600	700	300	500	600	700	300	500	600	700
W/m at 75/65/20	509	756	980	1117	745	1055	1345	1530	982	1371	1732	1961
n-coefficients	1.32	1.31	1.29	1.29	1.33	1.33	1.34	1.34	1.33	1.33	1.33	1.34
Heated surface area (m ² /m)	2.09	3.37	4.66	5.51	2.44	3.84	5.24	6.18	3.51	5.62	7.74	9.15
Weight (kg/m)	9.31	14.51	19.70	22.90	14.29	22.04	29.80	34.50	16.80	25.90	35.00	40.53
Water contents (l/m)	1.89	2.57	3.25	3.77	3.70	5.15	6.60	7.63	3.70	5.15	6.60	7.63
Wall to tap centre (mm)	51	51	51	51	62	62	62	62	73	73	73	73

PRESSURE DROPS



- ① Type 10 (P1), 11 (K1)
- ② Type 21 (P+), 22 (K2)
- ③ Type 33 (K3)